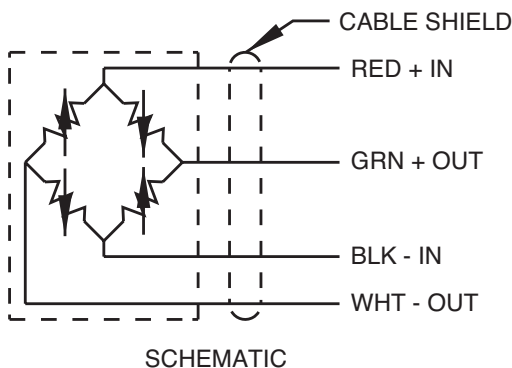


Piezoresistive accelerometer

Model 7280AM4



Key features

- 20 000 g and 60 000 g ranges
- Lightly damped for exceptional survivability
- DC response
- Low power consumption
- -55°C to +121°C operating temperature
- Minimal zero shift after shock
- Pyrotechnic and penetration

The Endevco® model 7280AM4 is a family of rugged lightly damped piezoresistive accelerometers designed for high amplitude acceleration, vibration and shock applications. The model 7280AM4 features minimal mass loading, broad frequency response, and minimum zero shift during a shock event.

The model 7280AM4 uses a unique micro-machined, piezoresistive sensor with light gas damping to attenuate resonant amplitudes, and mechanical stops to reduce breakage under overload conditions. The monolithic sensor incorporates the latest MEMS technology for ruggedness, stability and reliability to 4X full scale range. The accelerometer features a four-active arm bridge circuit. The M4 modification provides an integral ¼-28 mounting stud in a light 2.1 gram package. This increases the housing stiffness, which is important for short duration shock measurements.

See model 7280A for integral 4-40 screw mount configuration.

US patent 6,988,412 applies to this unit

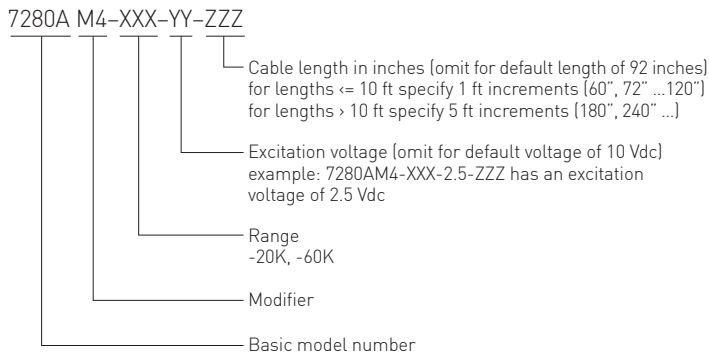
Piezoresistive accelerometer

Model 7280AM4

Accessories

| Product | Description | |
|---------|---|----------|
| 32103 | Triaxial mounting block | Optional |
| 136 | DC amplifier, 3 channel benchtop | Optional |
| 4430A | Ultra low noise bridge signal conditioner | Optional |

Model number definition



Notes:

1. Maintain high levels of precision and accuracy using Endevco's factory calibration services. Call Endevco's inside sales force at 866-ENDEVCO for recommended intervals, pricing and turn-around time for these services as well as for quotations on our standard products.

This product is subject to International Traffic in Arms Regulations (ITAR), and as such a license is required for shipments outside the U.S. and other restrictions may apply.

Contact

ENDEVCO

www.endevco.com

Tel: +1 (866) ENDEVCO

[+1 (866) 363-3826]