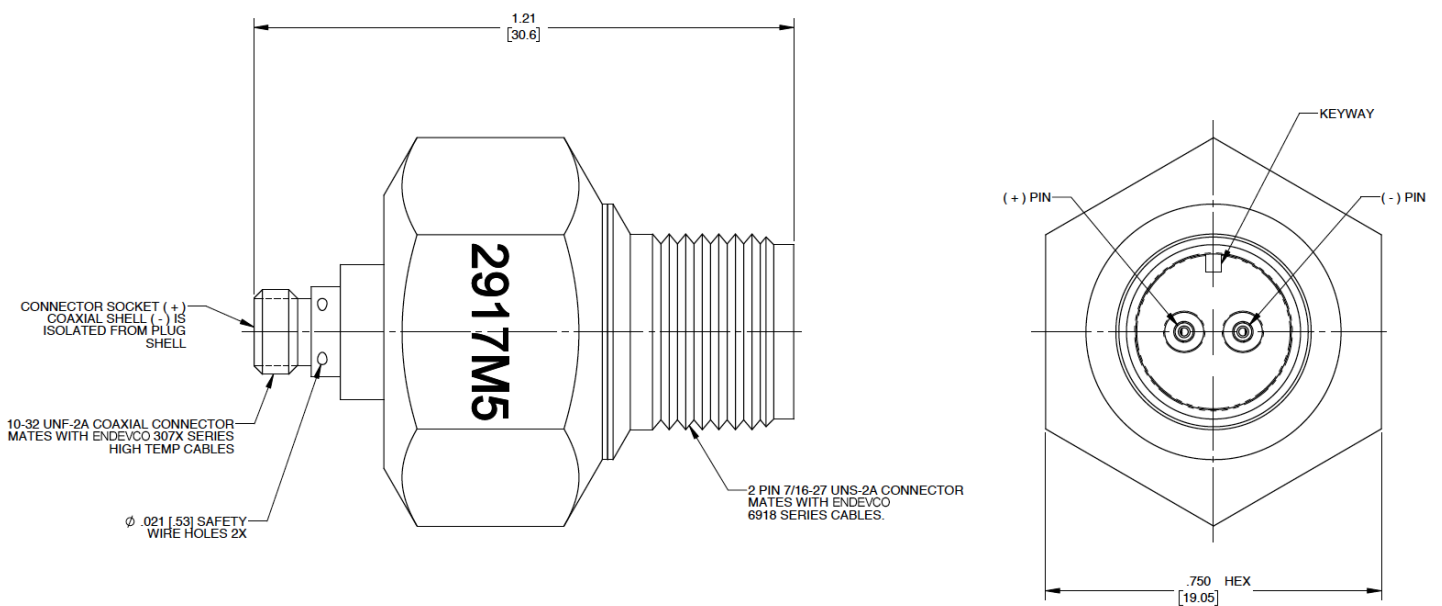


In-line cable adaptor 2917M5 Accessory



Description

High temperature 2 Pin 7/16-27 UNS-2A to 10-32 UNF-2A in-line adaptor, +900°F (+482°C)



Continued product improvement necessitates that Endevco reserve the right to modify these specifications without notice. Endevco maintains a program of constant surveillance over all products to ensure a high level of reliability. This program includes attention to reliability factors during product design, the support of stringent Quality Control requirements, and compulsory corrective action procedures. These measures, together with conservative specifications have made the name Endevco synonymous with reliability. 083019

ENDEVCO www.endevco.com Tel: +1 (866) ENDEVCO [+1 (866) 363-3826]